

DRAWING MADE IN THIRD ANGLE PROJECTION

THIS DRAWING IS UNPUBLISHED. RELEASED FOR PUBLICATION

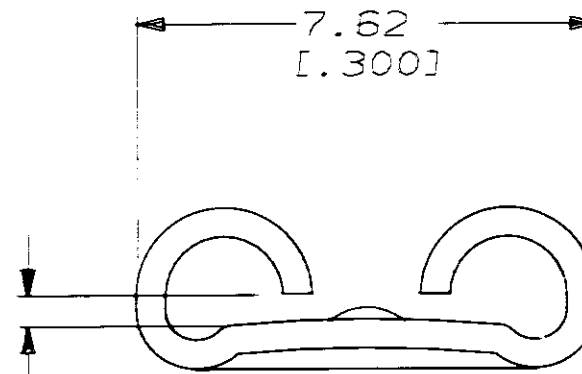
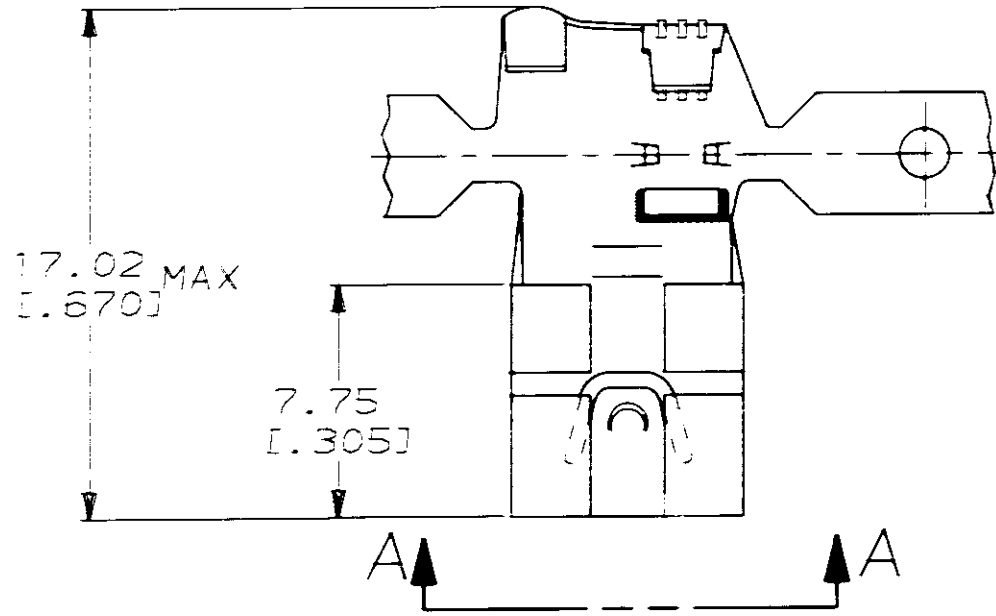
© COPYRIGHT 1984 BY AMP INCORPORATED, HARRISBURG, PA. ALL INTERNATIONAL RIGHTS RESERVED. AMP PRODUCTS MAY BE COVERED BY U.S. AND FOREIGN PATENTS AND/OR PATENTS PENDING.

LOC: AF
DIST: 50

P: F
ZONE: LTR

REVISIONS

DESCRIPTION	DATE	APPROVED
RELEASED	10/2/91	JR

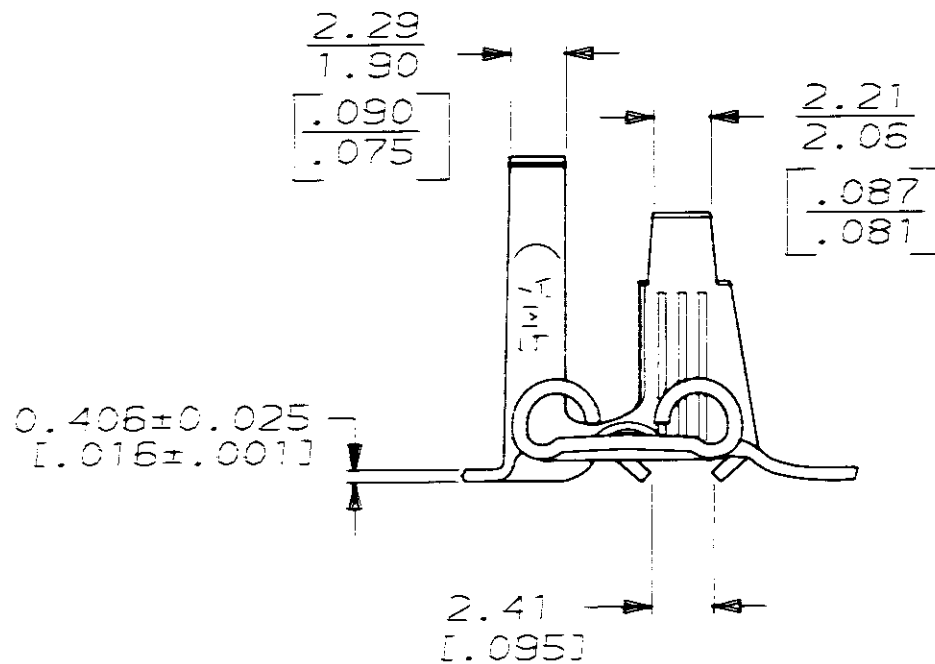


FITS 6.35 [1.250] SERIES FASTON TAB

VIEW A-A
SCALE 8:1

1 CONTINUOUS STRIP ON REELS

2 0.00381 [1.000150] MIN NICKEL PL PER QQ-N-290



\triangle	2.79-5.33 [1.110-.210]	0.8mm ² -3.0mm ² [18-12] AWG	0.81±0.025 [.032±.001]	63604-1
FINISH	INSULATION RANGE	WIRE SIZE	MATING TAB THK. ±.001	PART NO
UNLESS OTHERWISE SPECIFIED DIMENSIONS ARE IN INCHES TOLERANCES ON: 2 PL DEC ± 0.25 [1.010] 3 PL DEC ± - ANGLES ± -	DR P FORTNEY 5/13/91	AMP INCORPORATED Harrisburg, Pa. 17105		
	CHK JR RUTH 5/13/91			
MATERIAL #2 HARD CRS	APPD C MEYERS 5/13/91	NAME RECEPTACLE, FASTON, FLAG 6.35 [1.250] SERIES		
	APPD R KUZC 5/13/91			
FINISH SEE TABLE	PRODUCT SPEC	SIZE B	FSCM NO 00779	DRAWING NO 63604
	APPLICATION SPEC	SCALE 4:1	SHEET 1 OF 1	
	WEIGHT			

METRIC

CUSTOMER DRAWING